

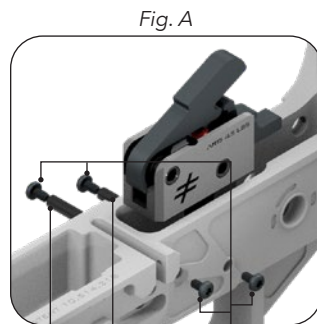


## ZERO™ TRIGGER INSTALLATION

**CAUTION:** Installation should be performed by a certified gunsmith. Certain hardware already installed on the trigger is marked by red security paint. Do not manipulate or adjust this hardware. The failure to follow the below instructions could affect the safety and/or legality of your trigger. Over torquing the trigger pin screws may cause damage to the trigger and/or lower receiver!

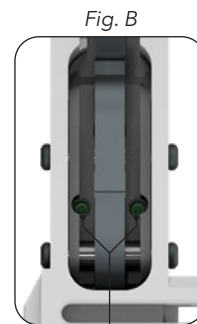
**Before performing any maintenance be sure to clear your firearm and manually and visually ensure the chamber and barrel are clear of ammunition and debris.**

1. Drop the trigger into the lower receiver and install the safety selector.
2. Install anti-walk trigger pins (sold separately) through the lower receiver trigger pin housing (fig. A).
3. GENTLY tighten all 4 trigger pin screws.
4. Find the preinstalled internal locking screws in the trigger housing (fig. B). These are located by each hammer spring leg and are NOT marked with red security paint. Tighten these locking screws firmly against the trigger housing.
5. Included in the packaging is a second set of locking screws. Install and tighten this second set of locking screws over the preinstalled ones you just tightened.
6. Tighten all 4 pin screws again.
7. Install the safety plunger and safety spring.
8. Install the pistol grip and upper receiver.
9. Perform a function check and ensure that the trigger and safety are in good working order.



Anti-walk  
trigger pins

Torx  
screws



Internal locking  
screws

**BE CAREFUL  
TO NOT OVER  
TORQUE THE  
SCREWS. FOR  
LONG LASTING  
PLACEMENT WE  
RECOMMEND  
BLUE LOCTITE.**

**QUESTIONS?  
CALL US AT  
480-781-0573**

**BLACKOUTDEFENSE.COM**

Patent Pending. Application No. 63/134,935