

45/90° SELECTOR INSTALLATION

Questions? Please contact us at customerservice@blackoutdefense.com or by calling 480.781.0573

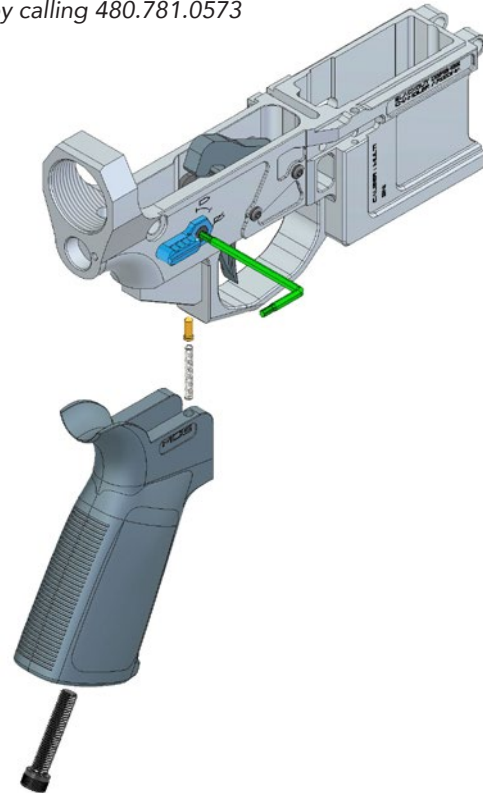
Note: If you have a drop-in trigger installed, you may need to loosen or remove your trigger to replace your safety selector. If you have the Blackout Defense Zero trigger installed, simply loosen the tension on the trigger by un-torquing the set screws used to secure the trigger to the receiver. Refer to our trigger installation guide for more information.

Note: Our safety selector ships with levers installed with 2 flat head screws that are gently torqued by hand. For more permanent installation of the levers, apply a small amount of blue Loctite directly onto the screw threads and torque. Take care to not allow Loctite to leak onto the selector drum. Do not exceed 8 in-lbs of torque.

45/90° SELECTOR INSTALLATION

Questions? Please contact us at customerservice@blackoutdefense.com or by calling 480.781.0573

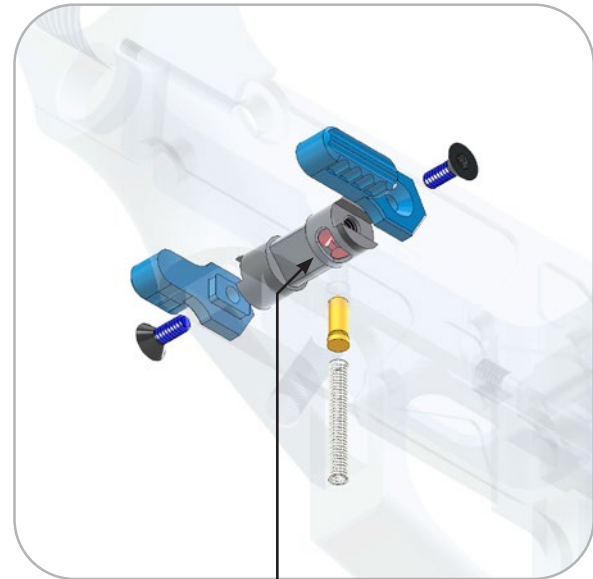
1. Uninstall your grip.
2. Remove the trigger pin that goes through the trigger so that your trigger tail is free. You may or may not need to also remove the trigger pin that goes through your hammer.



45/90° SELECTOR INSTALLATION

Questions? Please contact us at customerservice@blackoutdefense.com or by calling 480.781.0573

3. Examine your selector drum. One side has both a plunger groove and a separate long plunger groove. To install the selector for a 45-degree throw, align the shorter plunger groove with the lower receiver plunger hole. To install the selector for a 90-degree throw, align the longer plunger groove with the lower receiver plunger hole.
4. Insert your selector drum into the lower receiver selector hole. Confirm that the selector drum's plunger groove is aligned with the lower receiver plunger hole. For better control over plunger alignment, install one selector lever – preferably, the one opposite the plunger groove.
5. Insert the selector plunger and spring, and install your grip.
6. Insert the trigger pin(s) back through the trigger. [If applicable] Secure the trigger by reversing the steps you took to loosen the trigger.



45° plunger groove

45/90° SELECTOR INSTALLATION

Questions? Please contact us at customerservice@blackoutdefense.com or by calling 480.781.0573

To switch from a 90 to a 45-degree throw position, and vice versa:

1. Remove or loosen your grip until the selector plunger pressure is relieved from the selector drum.
2. Confirm that the selector drum rotates freely without indexing on any position.
3. Keeping your selector levers secured to your selector drum, rotate your levers (and attached drum) so that the lever indicators point towards the stock, i.e. backwards.
4. Re-install the selector plunger and spring, and torque your grip. Do not manipulate the safety selector.
5. Remove the selector lever screws on both sides.
6. Rotate the selector levers 180 degrees towards the muzzle, back into standard position.

